

MODEL DC-4

POWER SUPPLY

GENERAL DESCRIPTION.

The R. L. Drake Model DC-4 Power Supply is a self-contained power converter which transforms 12 Volts DC to the voltage necessary to operate the Drake 4-Line Transceivers and Transmitters. A receptacle supplying 115 VAC permits operation of the R-4C/T-4XC or T-4C combination.

SPECIFICATIONS.

Input:	12 Volts DC.
Output:	650 Volts DC at 300 mA average (500 mA peak). 250 Volts DC at 175 mA. -45 to -65 Volts DC adjustable bias into 33 K Ohms. 115 Volts AC at 600 mA for receiver operation. *(115 Volts AC at 1.3 Amperes if used alone.)
Frequency:	Approximately 330 Hertz square wave.
Size:	8½ inches long x 4¼ inches wide x 3½ inches high.
Weight:	7 pounds.

*An On-Off switch to short Pins 1 and 2 of the S-312-CCE female connector should be used to provide 115 Volts AC output for applications other

than an R-4C Receiver. A 'Tube Saver' such as GC Electronics No. 25-898 may be required for loads other than an R-4C. This is due to the extremely low cold resistance of some loads such as incandescent lamps, some TV sets, etc.

INSTALLATION.

The DC-4 is supplied with a negative ground system for mobile use.

CAUTION

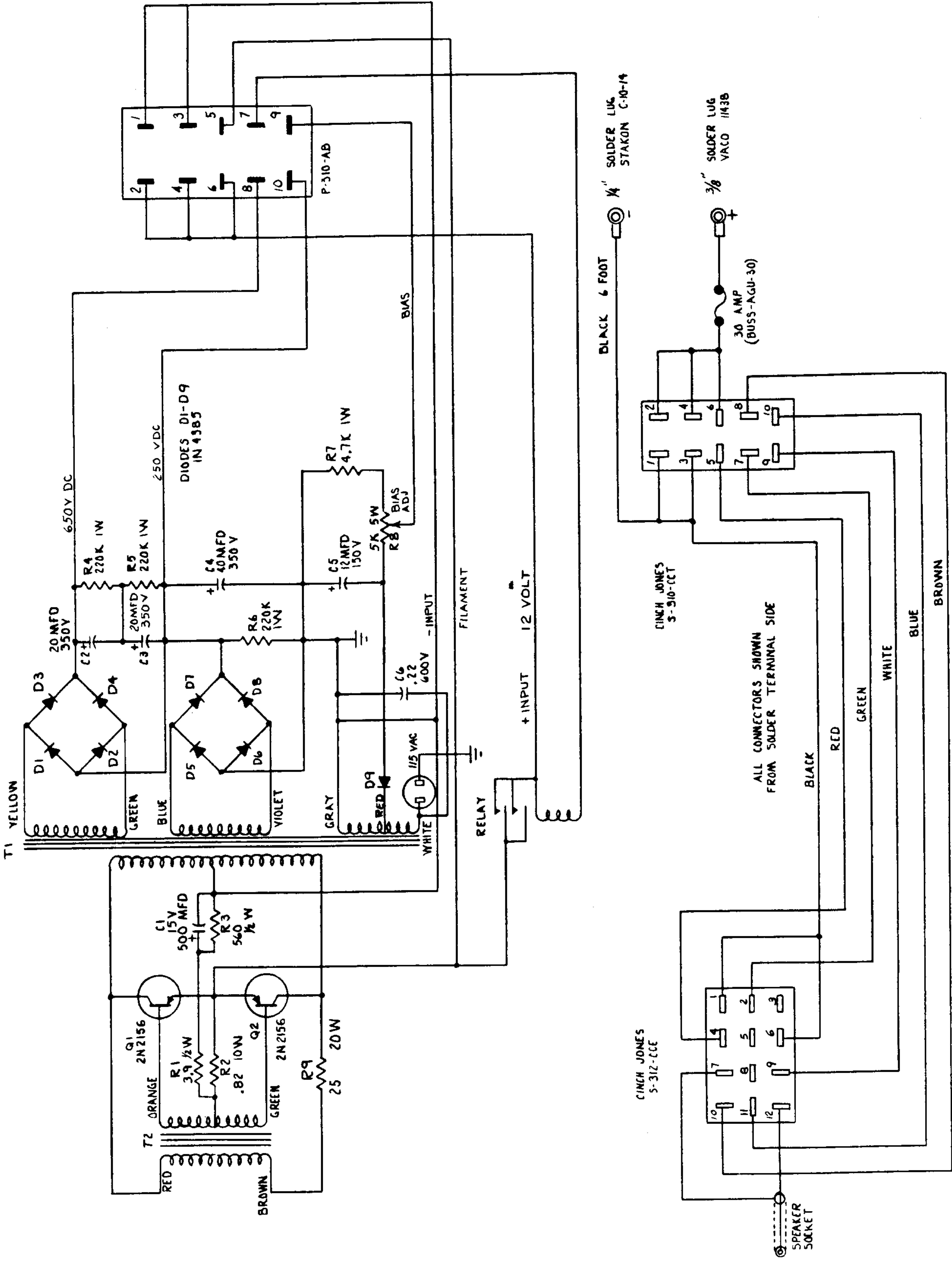
DO NOT USE WITH POSITIVE GROUND SYSTEMS OR SERIOUS DAMAGE MAY RESULT.

The DC-4 should be mounted on the passenger side of the fire wall. It should not be placed in the trunk or in the engine compartment unless it is protected from water and engine heat.

Attach the short black wire of the cable assembly to the nearest convenient ground and run the red/white wire through the fire wall to the ungrounded terminal of the battery, or to the 'hot' terminal of the starter solenoid. Mount the fuse holder in a convenient location as near the battery as possible. Cut the black and red/white wires as short as possible to avoid unnecessary voltage drop.

Connect the DC-4 Power Supply to the transmitter using the cable assembly supplied. Coil up any excess cable and tape it in a convenient location.

R. L. DRAKE COMPANY



MODEL DC-4 POWER SUPPLY

DC-3/DC-4 SPARE PARTS LIST

September 1, 1974
 Prices subject to change
 without notice.

QTY	SYMBOL	ITEM	PRICE EACH
1	-----	Board, complete, DC-3 only	\$ 15.50*
1	-----	Cable Assembly, complete with connectors	13.50
1	C5	Capacitor, electrolytic, 12 ufd @ 150 V	.80
2	C2, 3	Capacitor, electrolytic, 20 ufd @ 350 V	1.20
1	C1	Capacitor, electrolytic, 500 ufd @ 15 V	1.50
1	C6	Capacitor, electrolytic, .22 ufd @ 600 V	1.85
1	C4	Capacitor, electrolytic, 40 ufd @ 350 V	1.50
1	-----	Carton, shipping	1.50
1	P1	Connector, 10-pin chassis mounting	1.10
1	-----	Connector, cable, 10-pin, S-310-CCT	1.45
1	-----	Connector, cable, 12 pin, S-312-CCT	1.65
1	R8	Control, 5000 ohms, bias adj.	1.10
9	D1 thru D9	Diode, Rectifier B5G5	.55
1	-----	Fuse holder, In-Line	.95
1	-----	Fuse, AGU-30	.45
1	-----	Jack, receptical, AC, DC-4 only	.25
2	-----	Relay contacts, DC-3 only	3.00
1	-----	Relay, complete, DC-4 only	6.25
1	-----	Relay, armature assembly	3.00
1	-----	Relay, coil assembly	3.00
--	-----	Resistor, 1/2 Watt, specify "R" number	.10
--	-----	Resistor, 1 Watt, specify "R" number	.20
--	-----	Resistor, 5 Watt, specify "R" number	.30
--	-----	Resistor, 10 Watt, specify "R" number	.60
1	T1	Transformer, power, DC-3	20.00
1	T1	Transformer, power, DC-4	18.00
1	T2	Transformer, toroid	10.00
2	Q1, Q2	Transistor, SP2687, replaces SP-1105, 2N2156 and 2N2157	8.00

*Price plus return of old part.

ALL PARTS ORDERS NOT EXCEEDING \$10.00 WILL BE SUBJECT TO A
 \$1.00 HANDLING CHARGE.